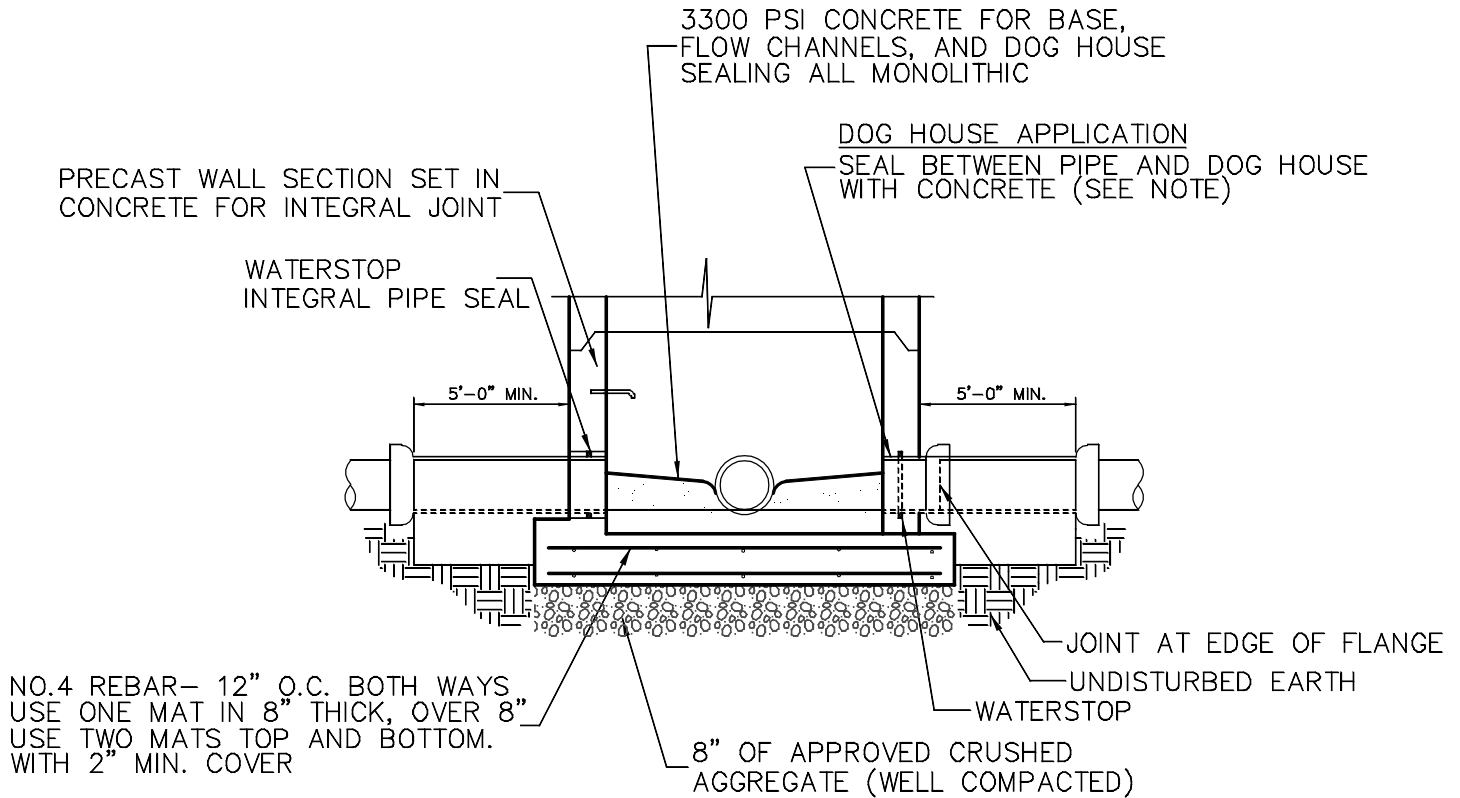


NOTE:

USE CORED OPENING LINK SEAL, WATERPLUG TO FILL ANNULAR SPACE, AND TWO COATS OF FOUNDATION SEALER MUST BE USED WHEN TIEING INTO EXISTING MONHOLE. REFER TO SECTION 02605 (3.06)



CAST-IN-PLACE BASE WITH PRECAST WALL SECTIONS

BASE THICKNESS

2" - 15" PIPE = 6"
18" - 27" PIPE = 12"
30" AND UP = DESIGN

CAST-IN-PLACE BASE
WITH PRECAST WALL SECTIONS

**SPRING - BENNER - WALKER
JOINT AUTHORITY**

DATE
4/05
SCALE
NTS
PROJECT

SHEET
4