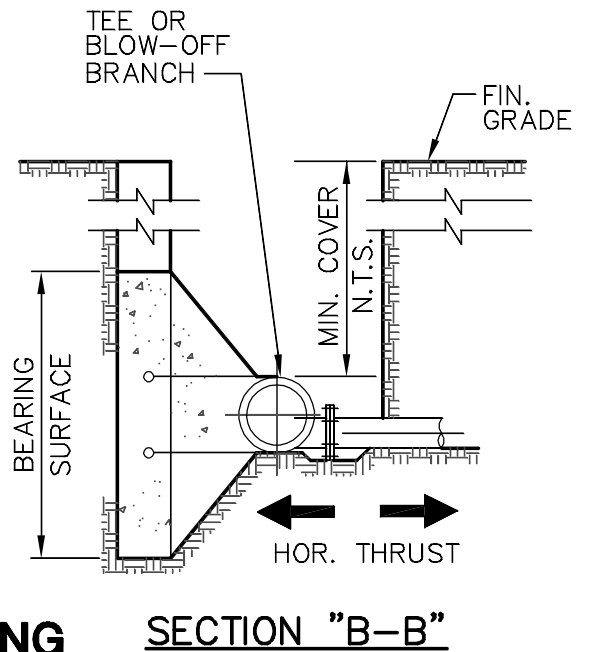
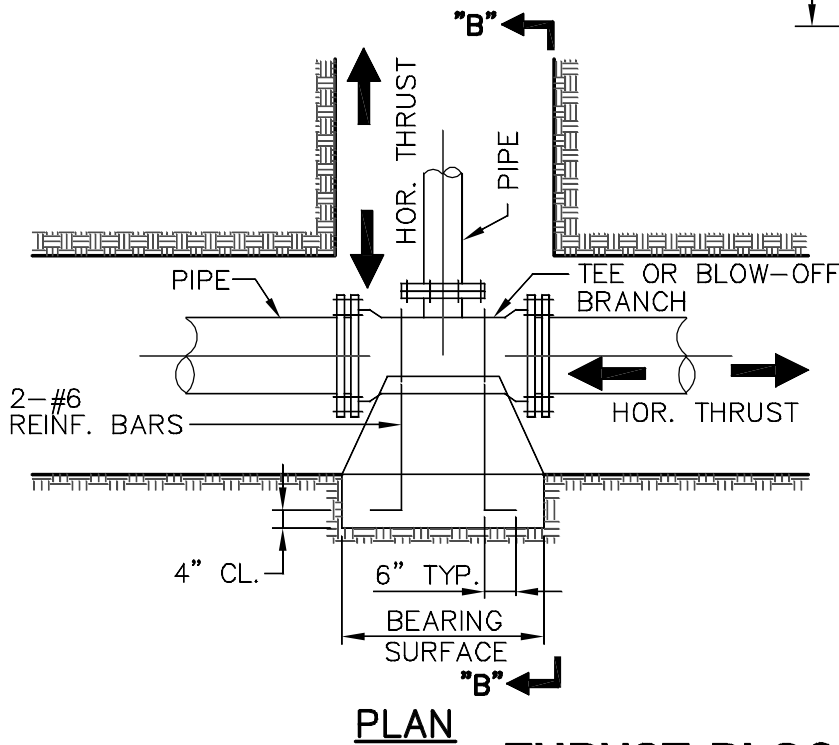


**NOTES:**

1. ALL CONCRETE SHALL HAVE A MINIMUM COMPRESSIVE STRENGTH OF 2500 P.S.I. AT THE END OF 28 DAYS.
2. ALL REINFORCING STEEL SHALL BE DEFORMED BARS.
3. NO COUPLINGS OR JOINTS SHALL BE COVERED WITH CONCRETE.



**THRUST BLOCKING**

NOT TO SCALE

THRUST BLOCKING

**SPRING - BENNER - WALKER  
JOINT AUTHORITY**

DATE

4/05

SCALE

NTS

PROJECT

SHEET

23