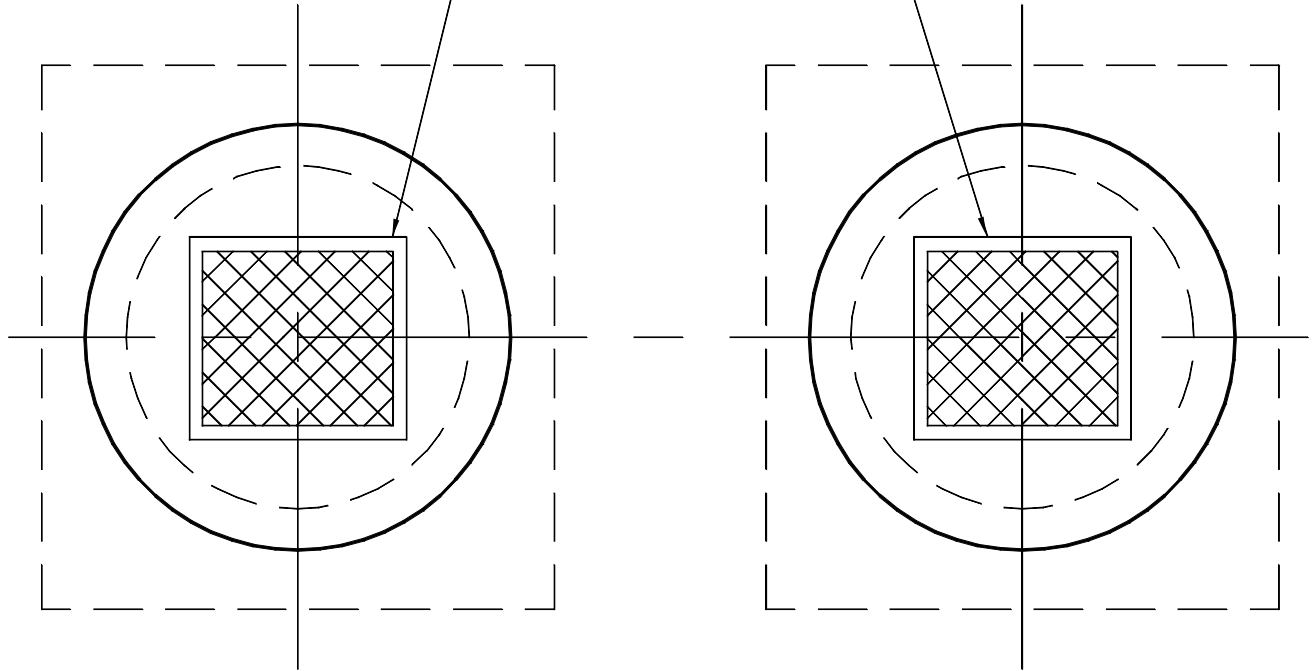


NOTE: SEE SHEET #20 FOR SECTIONAL VIEW

BILCO ACCESS DOOR- 36" X 48"
AND FRAME- PLATE ALUMINUM
SECTION 11306 (2.04)



PLAN AT GRADE

NOTE: A 30" X 48" ACCESS DOOR MAY BE USED WHERE VALVE PIT DIAMETER IS 5'-0".

**WET WELL AND VALVE PIT
PLAN VIEW AND ACCESS DOORS**

NOT TO SCALE

WET WELL AND VALVE PIT
PLAN VIEW AND ACCESS DOORS

**SPRING - BENNER - WALKER
JOINT AUTHORITY**

DATE

4/05

SCALE

NTS

PROJECT

SHEET

21