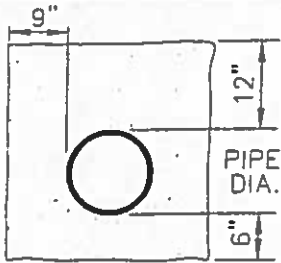
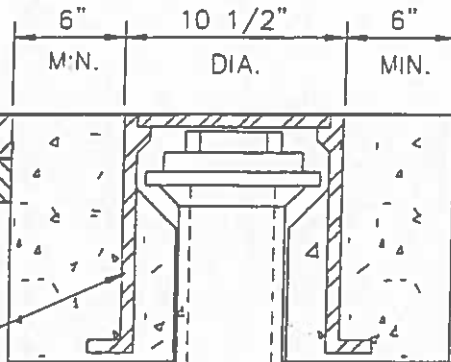


REFER TO DWG. #14 FOR
COVER INSTALLATION DETAIL



AGGREGATE BEDDING FOR LATERALS
(SECTION 02225)

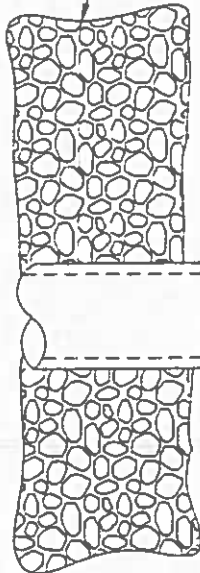
PAVEMENT CROSS SECTION
(EXISTING OR PROPOSED)



C.I. FRAME AND COVER. SUBMIT
SHOP DRAWING FOR APPROVAL
PRIOR TO CONSTRUCTION.

CLEANOUT TO SURFACE

STANDARD AGGREGATE
CUSHION AND BEDDING



PLACE AND SECURE WITH
PLUG IF END OF MAIN

← FLOW

CLEANOUT DETAIL

NOT TO SCALE

CLEANOUT DETAIL
(FOR HIGHWAYS, STREETS,
AND SHOULDERS)

**SPRING - BENNER - WALKER
JOINT AUTHORITY**

DATE
4/05
SCALE
NTS
PROJECT
SHEET
13